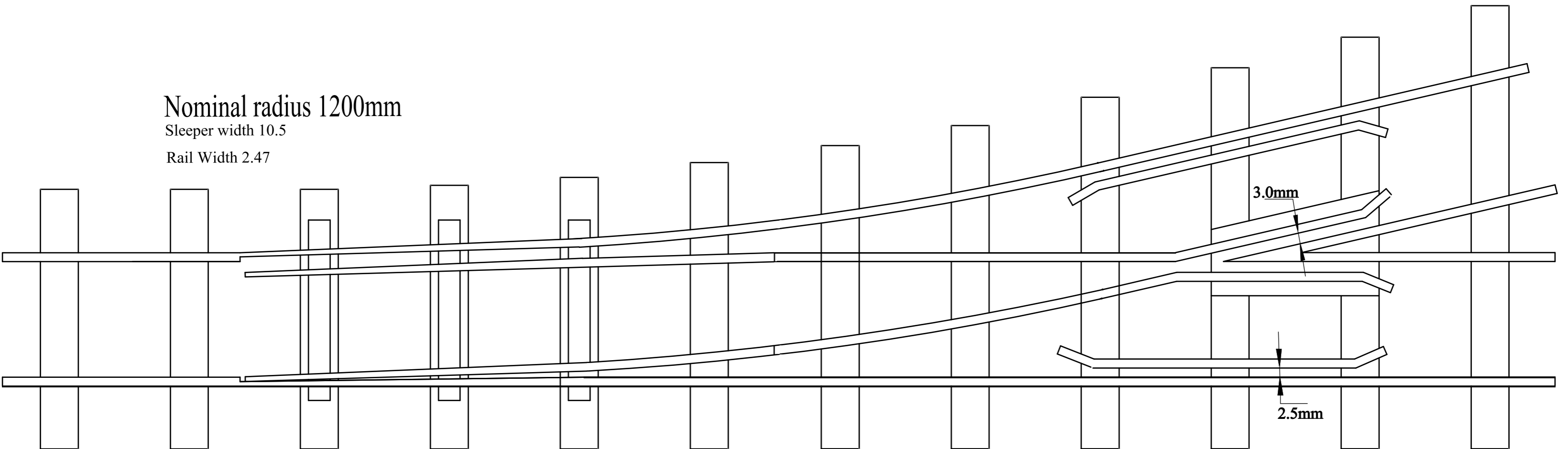
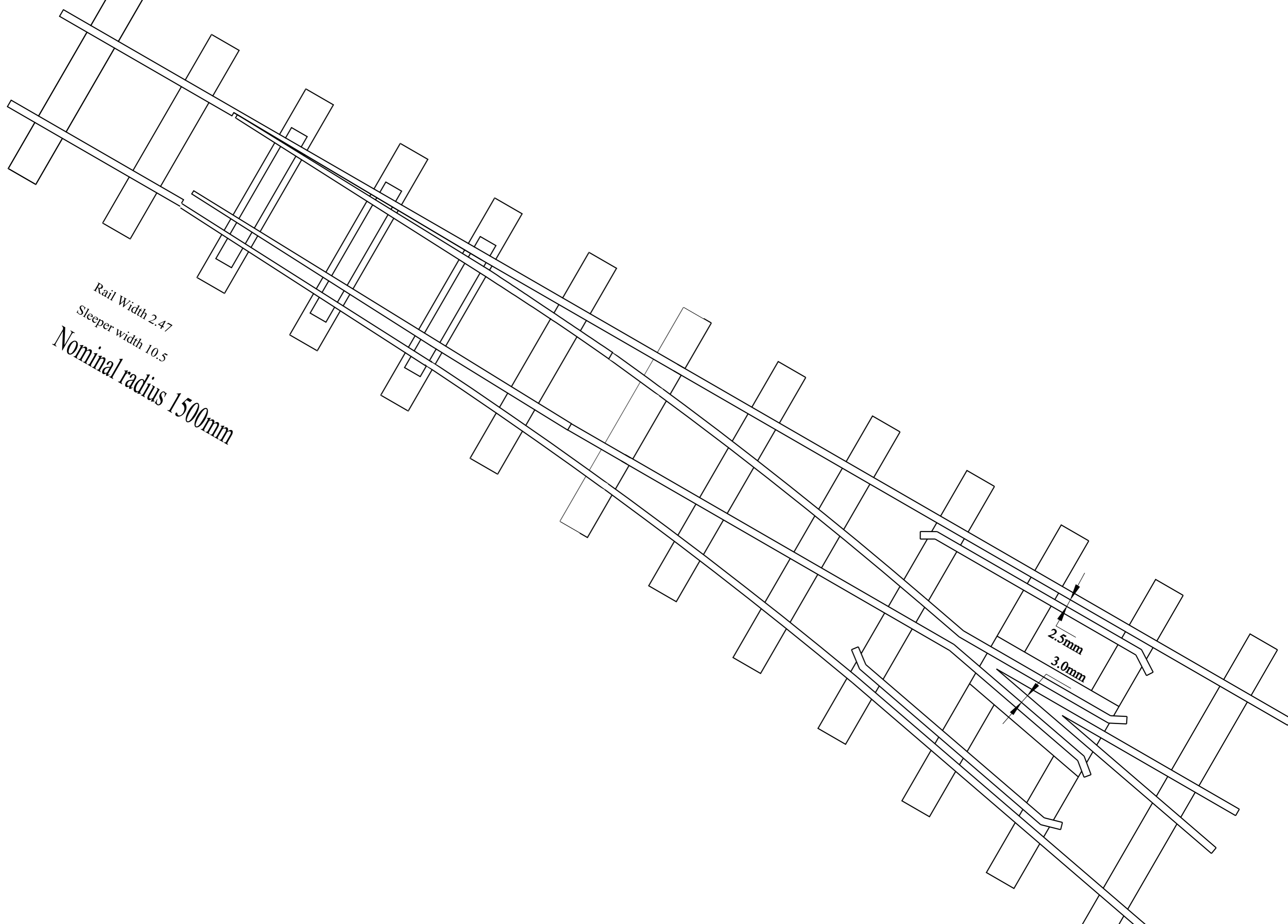


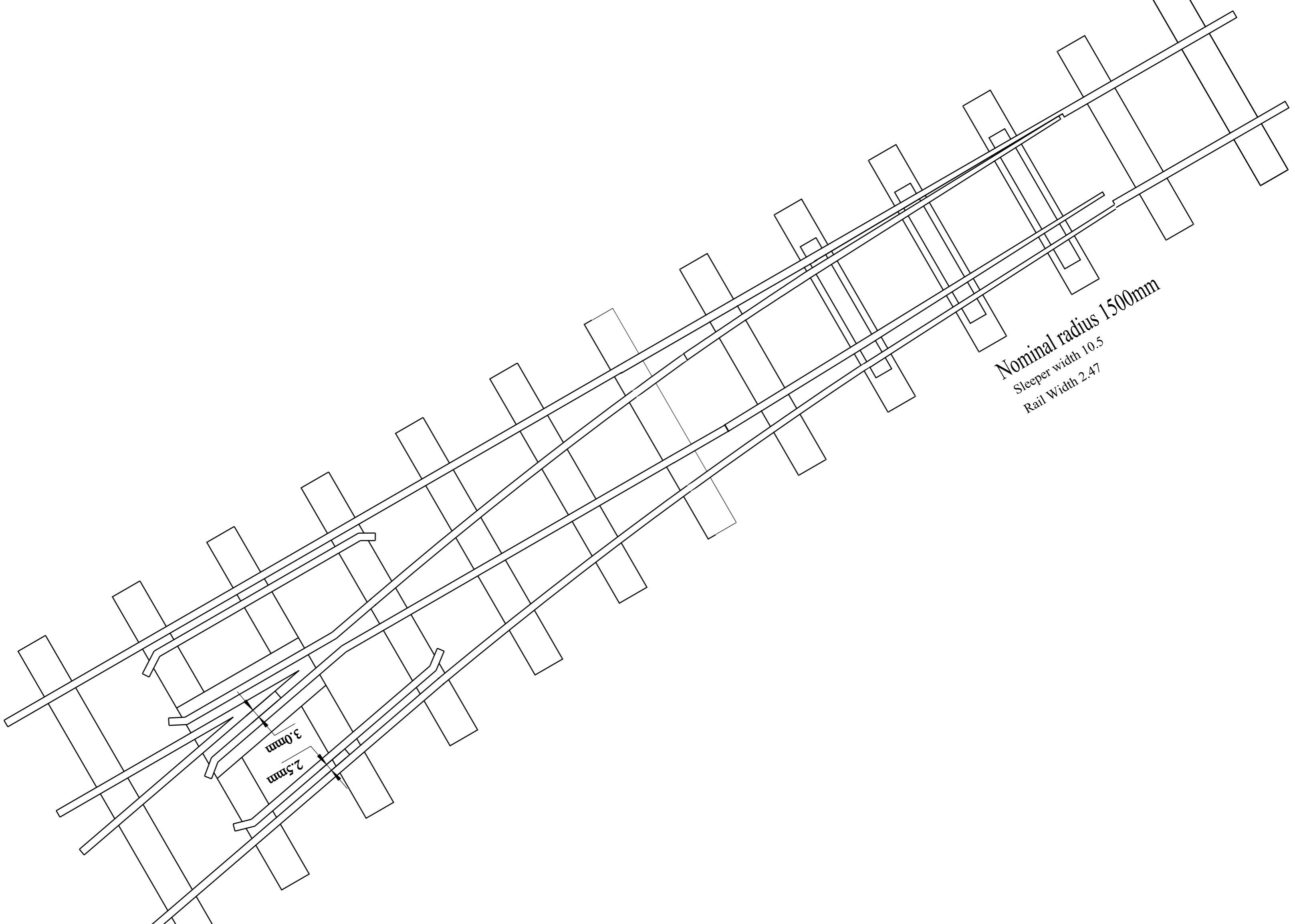
If you don't have an A3 printer or the template you wish to print is larger than the sheet of paper.
 Change percent view to 100% (Page width about 50%)
 now scroll to one end of area of interest, (Top Right on this page)
 Goto print this PDF icon, click, now select landscape & check spot for 'Current view' click 'OK'
 Then scroll to other end of area of interest. (Top Left of this sheet) and repeat the rest of above.





Rail Width 2.47
Sleeper width 10.5
Nominal radius 1500mm

2.5mm
3.0mm



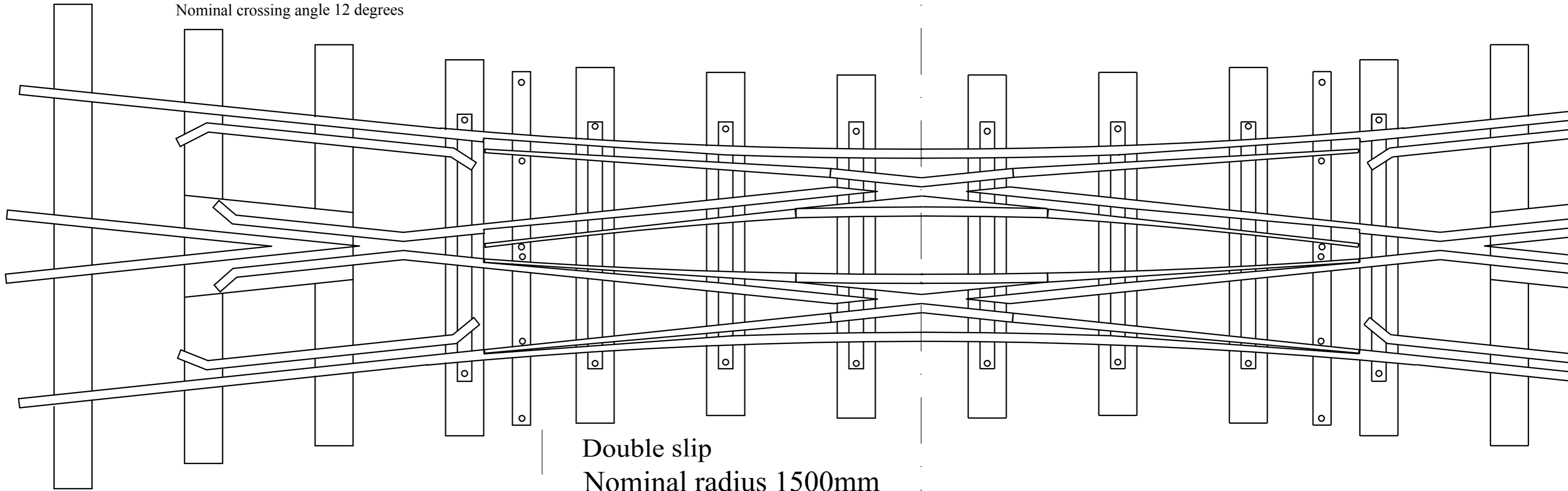
Nominal radius 1500mm
Sleeper width 10.5
Rail Width 2.47

3.0mm
2.5mm

Double slip

Nominal radius 1500mm

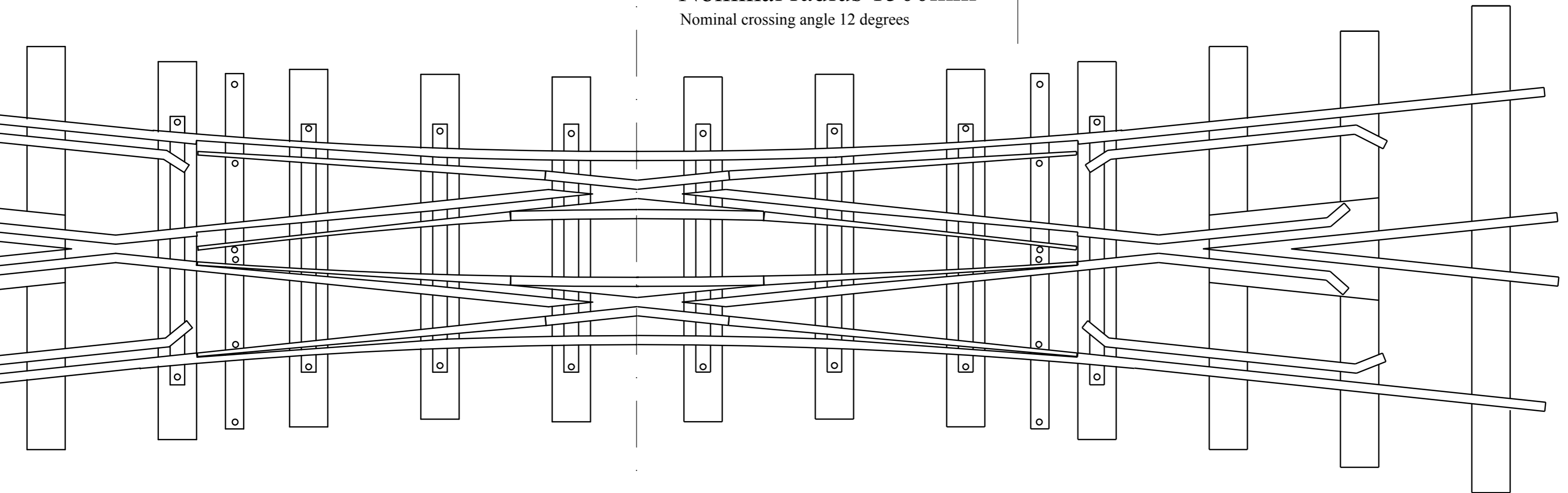
Nominal crossing angle 12 degrees

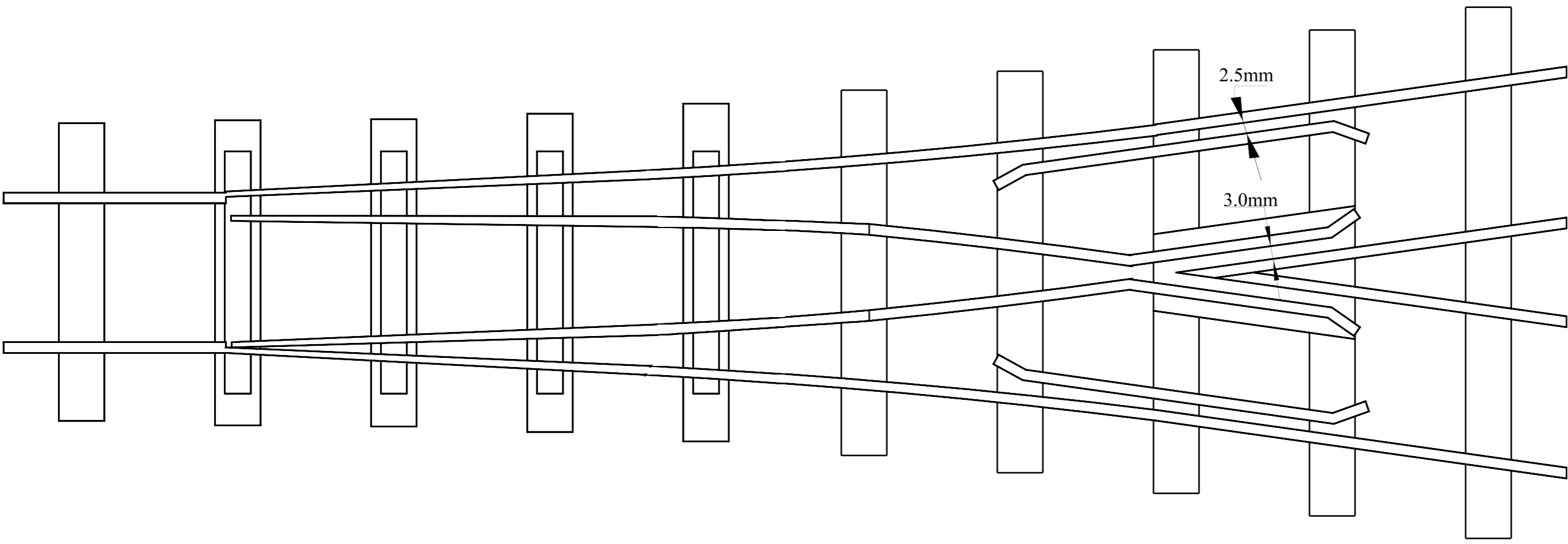


Double slip

Nominal radius 1500mm

Nominal crossing angle 12 degrees





Nominal radius 1500mm

Sleeper width 10.5

Rail Width 2.47

Rubbing strip 6mm

Check rail gap 2.5mm

Wing rail gap 3mm