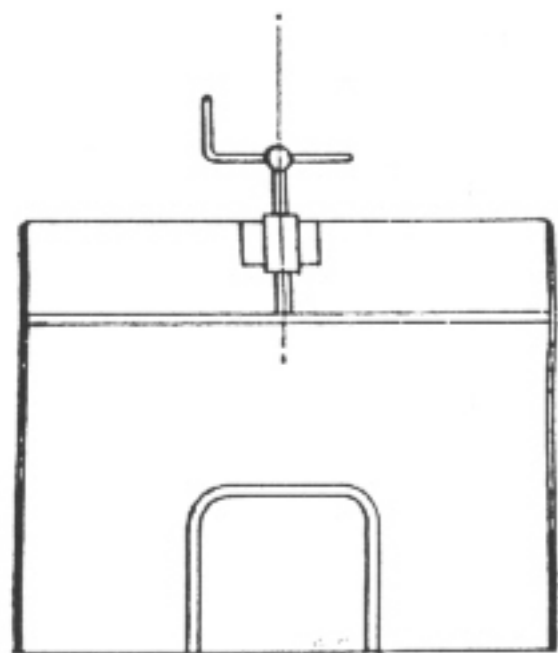


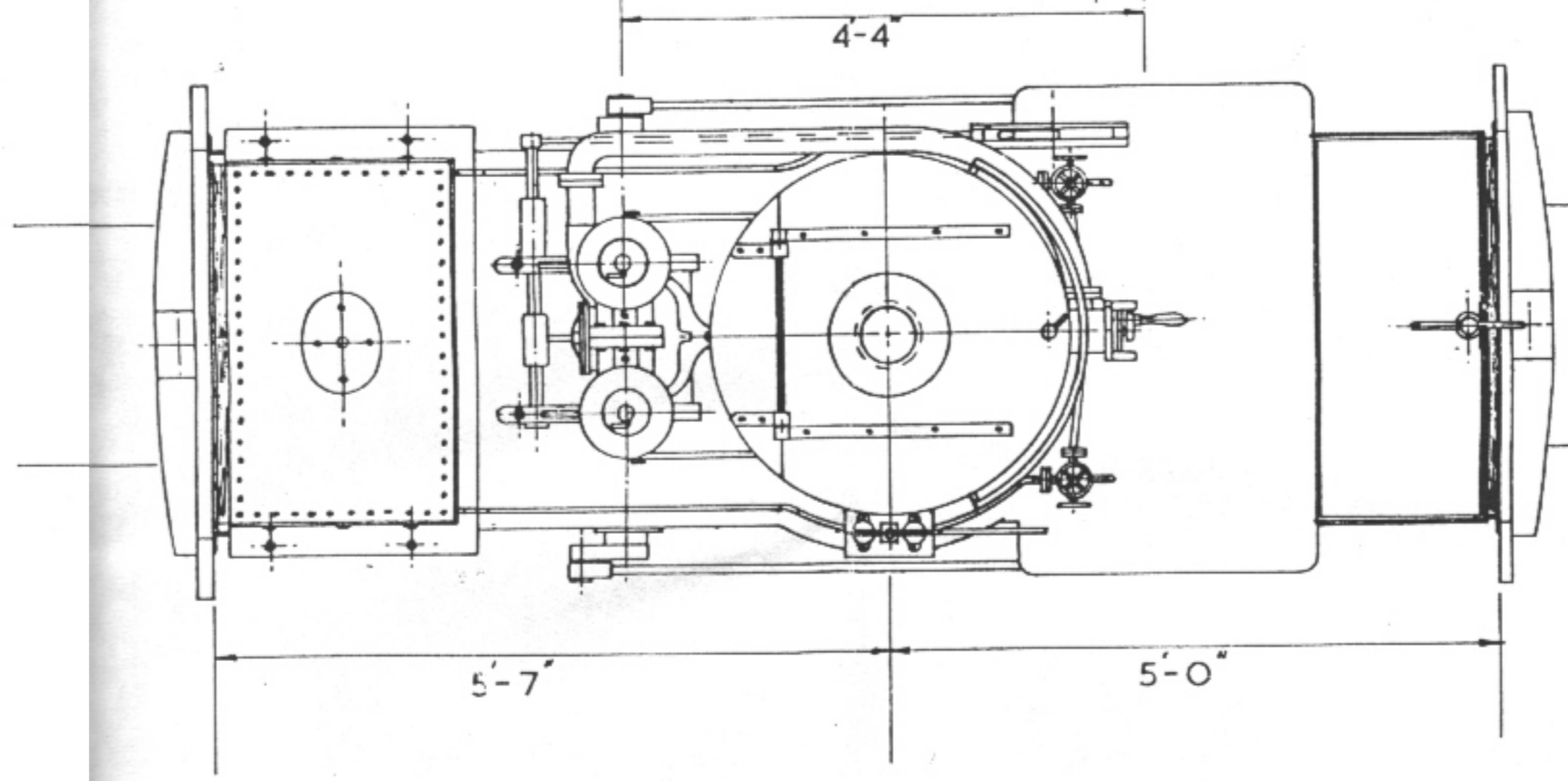
THIS AXLE UNSPRUNG



HALF SECTION THRO' TANK.



SCRAP VIEW SHOWING FRONT OF BUNKER.



Drawn S.L. Baker. ©28/12/72.

Principle Dims :-

Length	10'-7"
Depth of frame	9"
Wheel dia.	1'-6"
Boiler dia. over lagging	3'-1"
Cylinders:-	
outside dia.	9 1/2"
length	1'-6"
between centres	1'-4"
Crank throw	5"